

MEN-3406 Series

Managed 4 x 10/100/1000 RJ45 &
2 x FX/GbE SFP Switch

Description

The MEN-3406 is an entry level access switch which belong to serial products for villages. The Switch is designed to deliver power and reliability in one cost-effective equipment, a scalable and future-proof network solution to fit the network requirements of families and small communities. Providing the ideal combination of affordability and excellent switching capabilities, it helps to create an efficient network at relatively cost effective. Built with powerful chipset and richly equipped with much software features, the switch delivers maximum performance and enables service providers to operate their network more efficiently.

Designed with 4 downlink copper ports that deliver 10/100/1000Mbps speeds, the MEN-3406 is a perfect effective cost solution for service providers who want to offer high-value Ethernet services for low density subscriber base with medium ARPU. Equipped with Dual 100/1000 Multi-rate SFP uplinks which can be configured as ring ports to provide link redundancy in gigabit fiber based ring architecture networks, or daisy chain to extend distance.



Features Highlight

Unparalleled Network Performance

Excessive and unnecessary inbound unicast, multicast or broadcast traffic on physical interfaces can degrade your network performance and can even result in complete loss of network service. Storm control and traffic monitor features of the MEN-3406 enables ISPs to effectively monitor and limit incoming traffic to prevent disruption of LAN ports. In addition, Loop detection on the switch identifies loops in the network and disables the relevant ports to avoid loop storms, preventing LAN degradation and achieving maximum network performance. These features along with auto-recovery timer deliver robotic methods to control your network automatically.

Stable and Reliable Device Operations

Abnormal power supply puts extra strain on the components of the switch, wearing it down over time and resulting in increased network downtime. Built with increased level of power supply protection, the MEN-3406 features OCP, OVP and Surge protection to ensure stable and reliable device operations. Surge protector function on each copper port and protects the ports as well as device from surges entering through LAN cables. Even in unstable power conditions, these features of the switch prevent sudden network downtime protecting your infrastructure investments and avoiding unnecessary operational expenditure.



Comprehensive QoS Mechanisms to Assign Priority

Network applications need different levels of services delivered to them reliably without any transmission delays and interruptions. The MEN-3406 has comprehensive QoS mechanisms that assign priority to applications and send only specific dedicated traffic to them. In addition, bandwidth management functions of the switch allocate greater bandwidth for mission-critical communications. With increased control, administrators can prevent unpredictable errors and utilize the bandwidth more effectively.

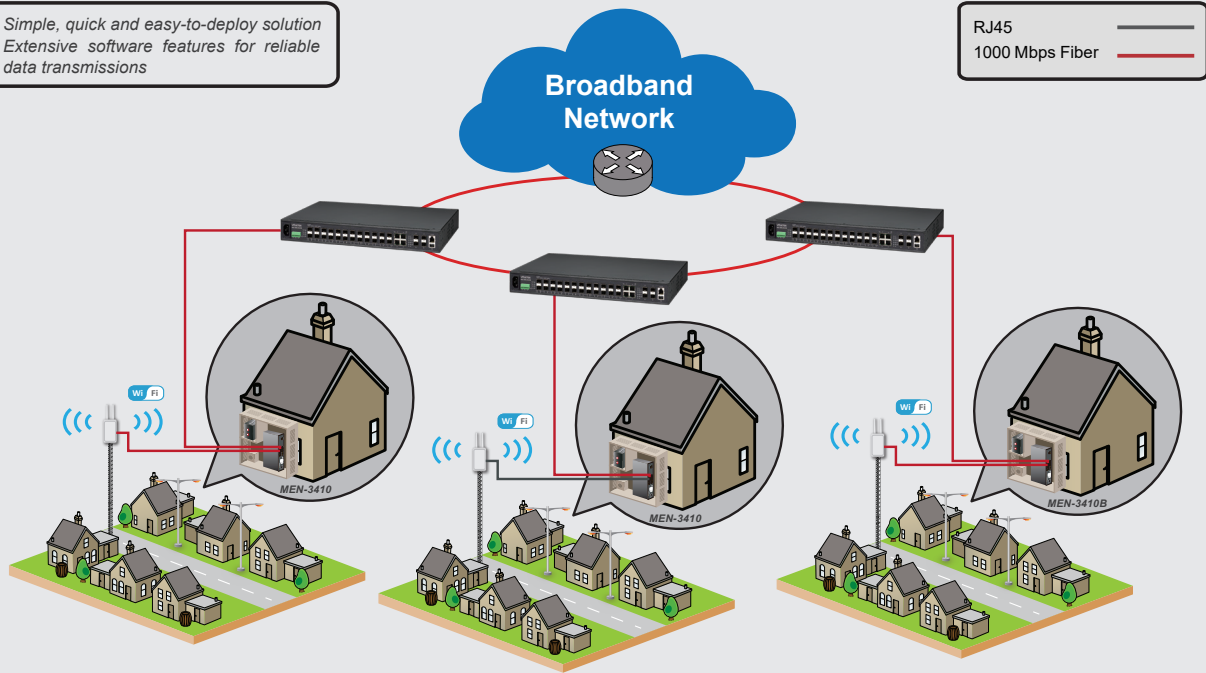
Efficient Network Monitoring and Management Tools

The MEN-3406 features SNMP, an industry standard management protocol, enables administrators to centrally manage and monitor the network, and easily but quickly identify issues that impact network performance. Supported by SNMP traps, the switch allows administrators to monitor unsolicited SNMP trap messages and maintain a helpful network status data for managing a healthy network. And in the event of network malfunction, Email alarm feature of the switch sends email alerts to notify administrator regarding real time network problems. These efficient features speed up and simplify network monitoring and troubleshooting, reducing operational head burden.

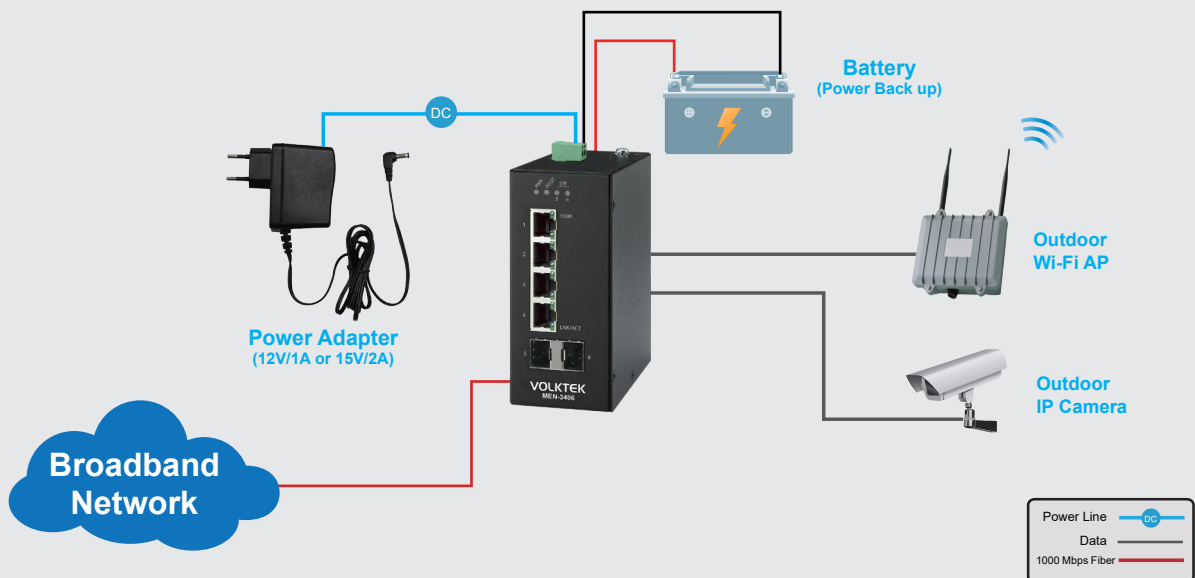
Applications

High-quality data services in a small but powerful package

- ▶ Simple, quick and easy-to-deploy solution
- ▶ Extensive software features for reliable data transmissions



The INS-3406 is compatible with 10/100/1000Mbps through RJ45 transceivers to guarantee a strong, stable connection of Ethernet, Fast Ethernet or Gigabit Ethernet, providing flexible deployment options to satisfy industrial networking requirements



Specifications

Standards		Features	
IEEE 802.3	10BASE-T	Security	ACL, SSH, Port Security, MAC Search, Static MAC, Management Host, Switch Lock, IP Source Guard, DHCP Snooping, ARP Inspection
IEEE 802.3u	100BASE-TX		
IEEE 802.3ab	1000BASE-T	Power	MEN-3406: 12V DC/1A Power Adapter
IEEE 802.3u	100BASE-FX		MEN-3406B: 15V DC/2A (Battery charge)
IEEE 802.3z	1000BASE-SX/LX	Input Voltage	Redundant inputs: 12V Battery (only for battery charge version)
IEEE 802.3	Nway Auto-negotiation		
IEEE 802.3x	Flow Control	Connection	DC Jack
IEEE 802.3ad	Link Aggregation	Power Consumption	6W (System)
IEEE 802.3az	Energy Efficient Ethernet (EEE)	Mechanical and Environment	
IEEE 802.1ab	LLDP	Housing	Metal Case
IEEE 802.1D	STP	Mounting	DIN-Rail
IEEE 802.1w	RSTP	Operating Temperature	0°C~60°C (32°F~140°F)
IEEE 802.1p	Class of Service	Storage Temperature	-20°C~70°C (-4°F~158°F)
IEEE 802.1Q	VLAN Tagging	Operating Humidity	10 to 95% RH (non-condensing)
IEEE 802.1X	Port Authentication	Storage Humidity	5 to 95% RH (non-condensing)
Interface		Weight	529 g (1.17 lb)
Ports	4 x 10/100/1000BASE-T (RJ45) 2 x 100FX/GbE SFP Slots	Dimension (WxHxD)	50 x 115.8 x 99.6 mm (1.97 x 4.56 x 3.92 in)
LED Panel	PWR, POST, 1000, LNK/ACT, SFP	Certifications	
Features		Electromagnetic Compatibility	CE Mark FCC Class A EN 55032 (CISRP 32) Class A EN 61000-3-2/3
Performance	Jumbo frame Size: 10KBytes	Ordering Information	
	MAC Table Entries: 8K	MEN-3406	Managed 4 x 10/100/1000 RJ45 & 2 x FX/GbE SFP Switch, w/ External AC Power Adapter
	Active VLAN: 256	MEN-3406B	Managed 4 x 10/100/1000 RJ45 & 2 x FX/GbE SFP Switch, w/ External AC Power Adapter, Battery Charge Function Included
	Switch Fabric: 12Gbps		
Management	L2 Forwarding Rate: 8.92Mpps	Note:	
	CLI, Telnet/SSH, HTTP, SNMP v1/v2c, SNMP Trap, MVLAN, Firmware Upgradable, Configuration Backup/Restore, Syslog, SNMP, DHCP, LLDP Client/Relay/Option 82, e-mail Alarm, Server Control, Mirroring, DDM for SFP Info, Dying Gasp Auto-Provisioning, EEE, RMON Statistics	* The SFP communication distance upon the request.	
		* Industrial SFP with wide operating temperature from -40°C~85°C (-40°F~185°F) is available upon request.	
		* Specifications subject to change without notice.	
Reliability	STP/RSTP, Dual Homing, LACP, Static Trunk, Code Redundancy, ERPS V1/V2		
VLAN	IEEE 802.1Q, Port-based VLAN, MAC-based VLAN		
Traffic Control	IGMP snooping, QoS, Flow Control, Rate Limit, Traffic Monitor, Port Isolation, Loop Detection, VLAN Stacking, Storm Control		

Dimension

